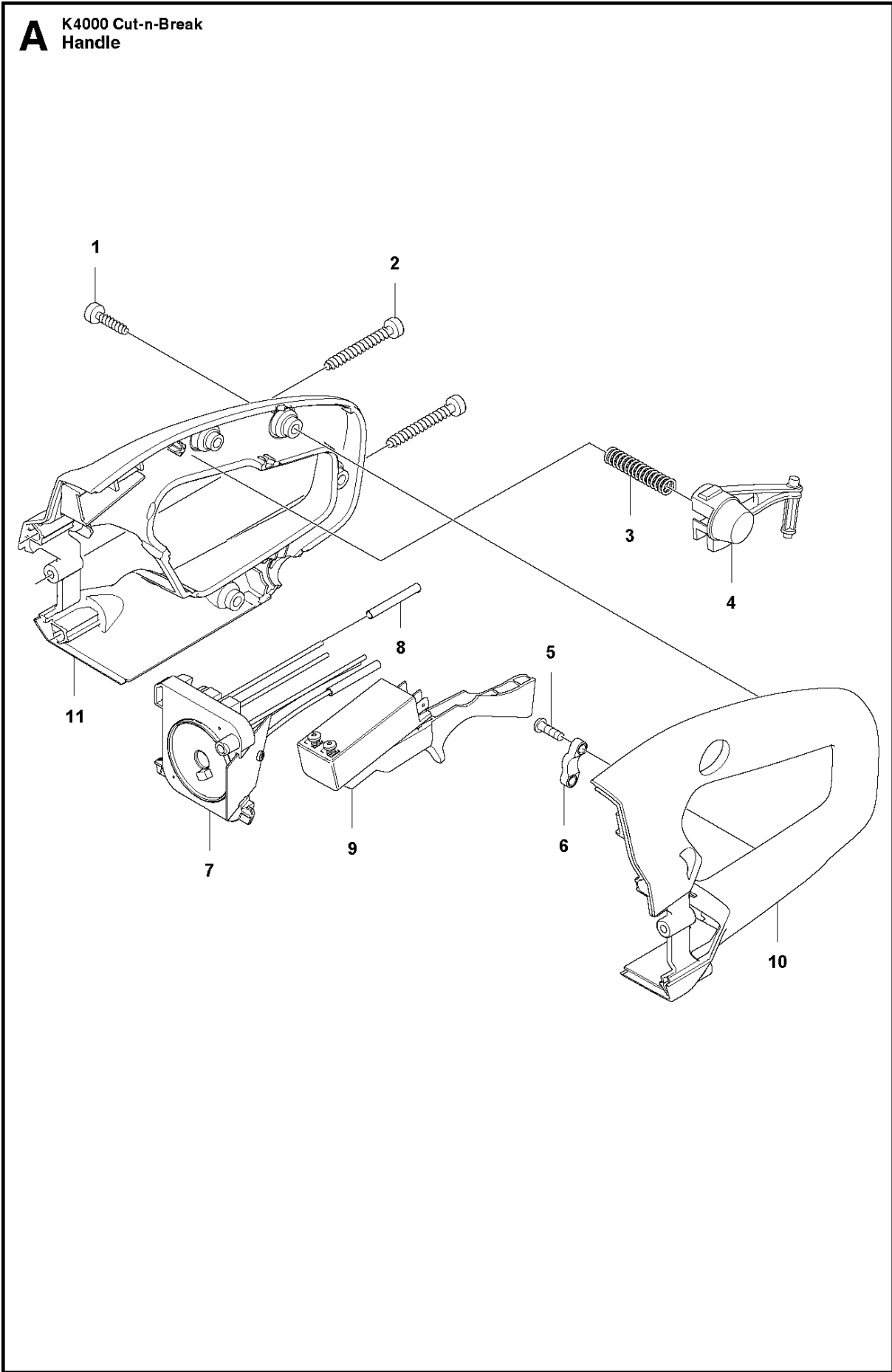




SPARE PARTS LIST

POWER CUTTERS

K 4000 Cut-n-Break, 2018-02

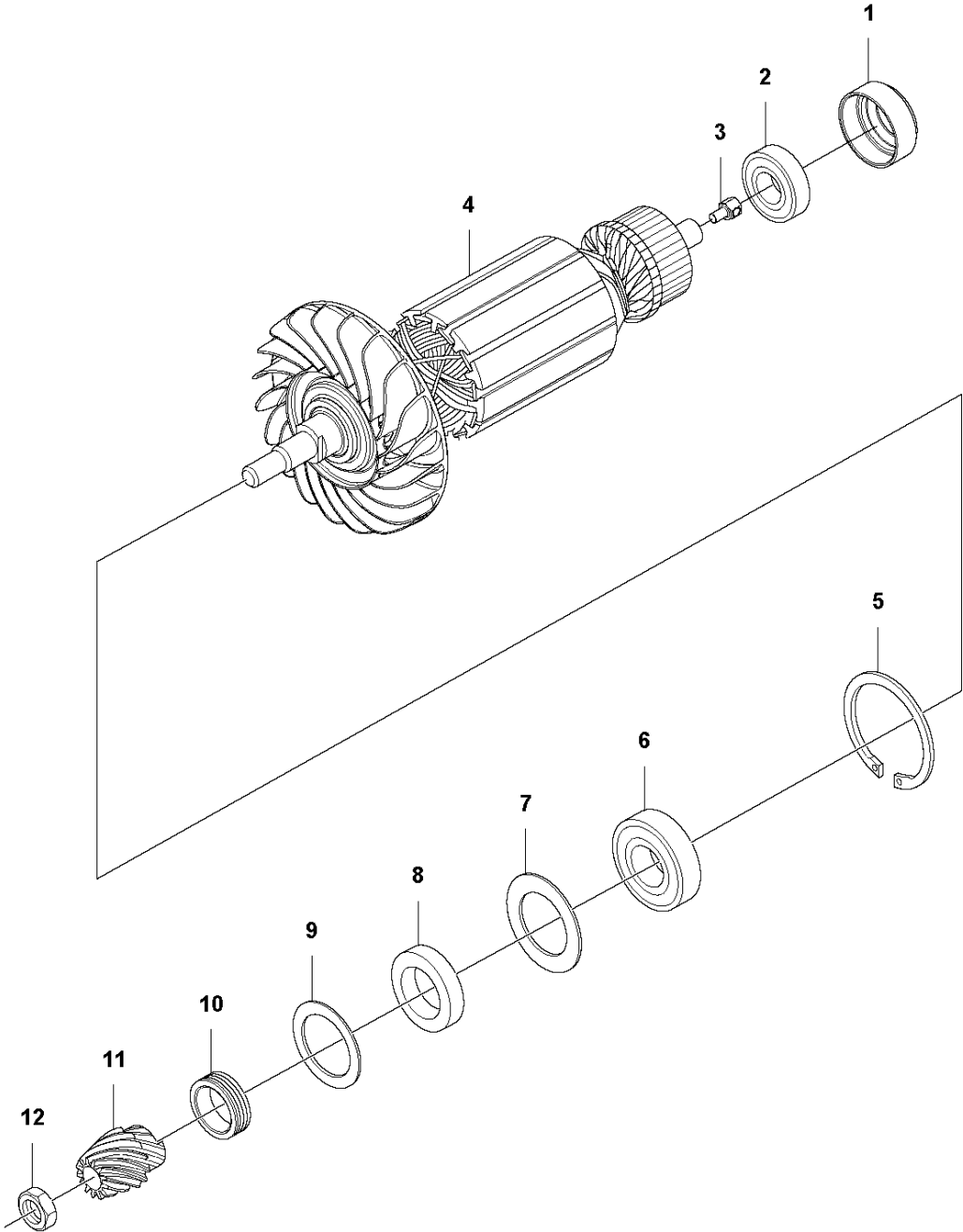


HANDLE

K 4000 Cut-n-Break, 2018-02

| Ref | Part No | Description | Remark | QTY KIT |
|-----|--------------|----------------|------------------|---------|
| 1 | 589 53 01-01 | SCREW ITXSCT | | 4 |
| 2 | 589 58 33-01 | SCREW | | 4 |
| 3 | 577 48 19-01 | SPRING | | 1 |
| 4 | 589 65 73-02 | LOCKING BUTTON | | 1 |
| 5 | 590 93 57-01 | SCREW | | 2 |
| 6 | 531 03 18-87 | CLIP | | 1 |
| 7 | 577 01 01-05 | HOLDER ASSY | 100-120V, incl 8 | 1 |
| 7 | 577 01 01-06 | HOLDER ASSY | 230V, incl 8 | 1 |
| 8 | 578 03 26-01 | SLEEVE | 100-120V | 1 |
| 8 | 578 03 24-01 | SLEEVE | 230V | 2 |
| 9 | 531 03 18-83 | SWITCH | | 1 |
| 10 | 582 33 02-01 | HANDLE HALF | | 1 |
| 11 | 582 33 03-01 | HANDLE HALF | | 1 |

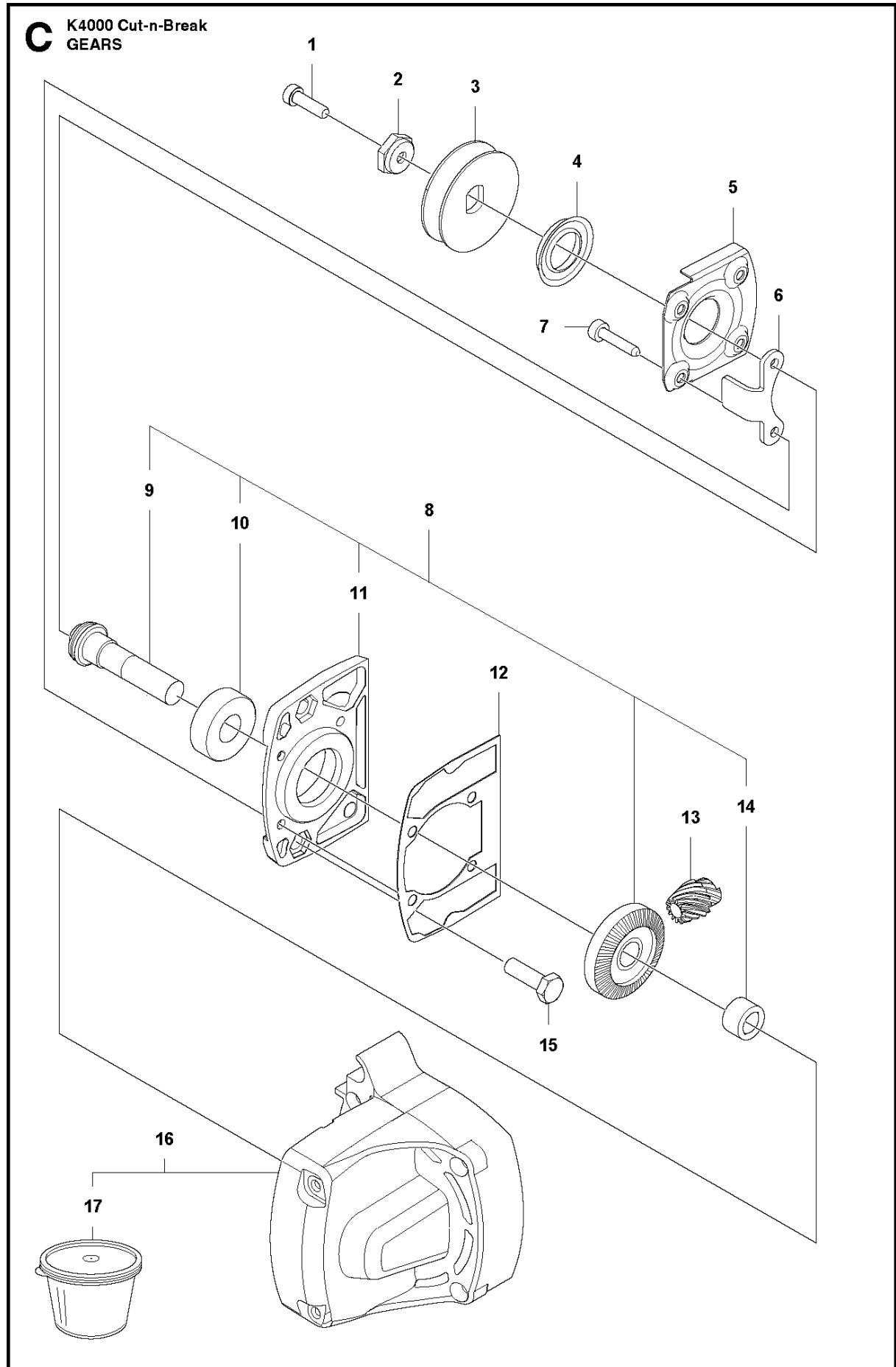
B K4000 Cut-n-Break
MOTOR



MOTOR

K 4000 Cut-n-Break, 2018-02

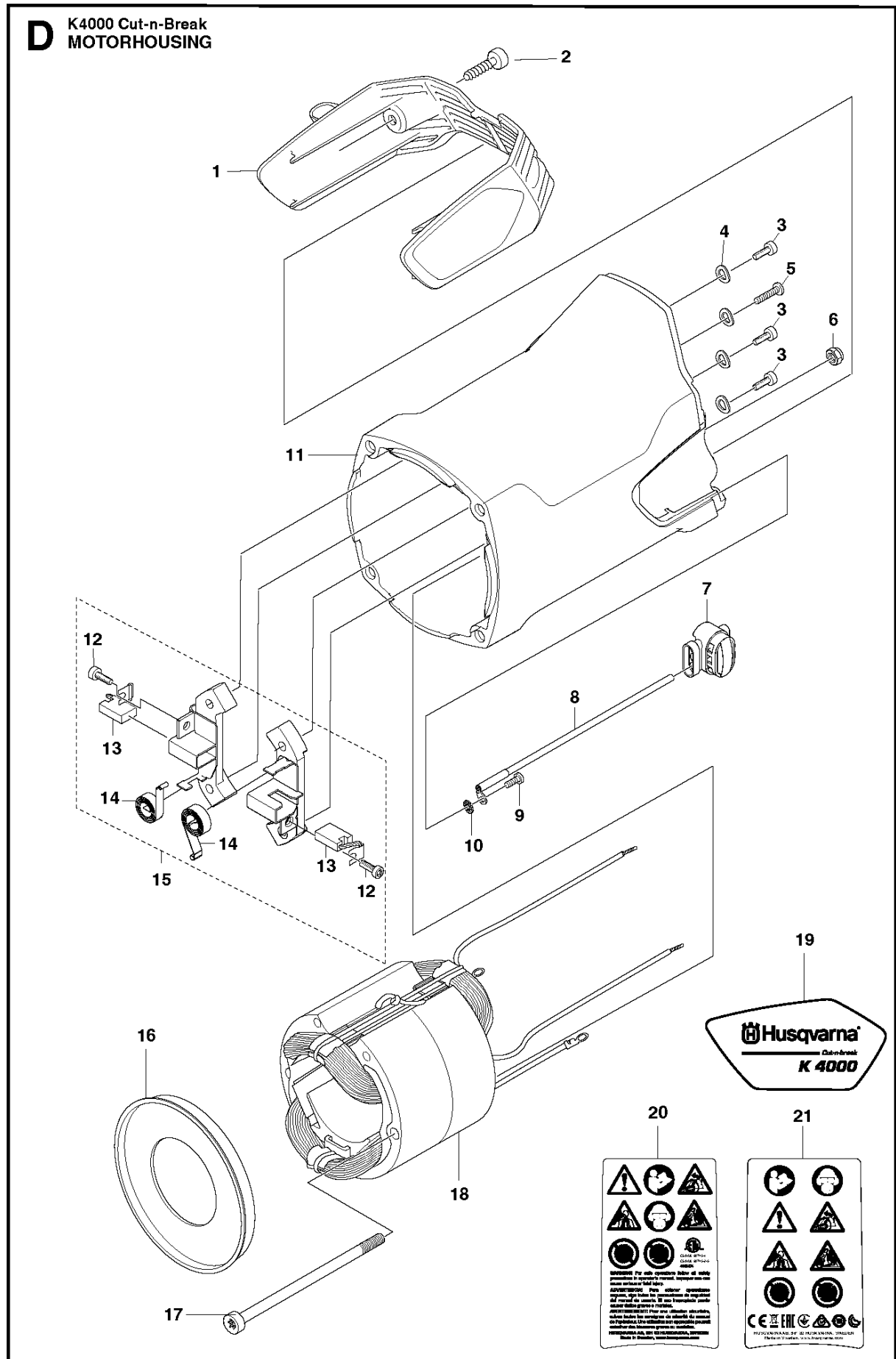
| Ref | Part No | Description | Remark | QTY KIT |
|-----|--------------|----------------|----------|---------|
| 1 | 577 06 66-01 | RUBBER BUSHING | | 1 |
| 2 | 503 25 09-01 | BEARING | | 1 |
| 3 | 579 25 62-01 | SCREW | | 1 |
| 4 | 582 58 66-02 | ROTOR | 100-120V | 1 |
| 4 | 582 58 66-01 | ROTOR | 230V | 1 |
| 5 | 735 31 33-10 | CIRCLIP | | 1 |
| 6 | 531 07 39-44 | BALL BEARING | | 1 |
| 7 | 505 53 03-16 | SPACER | | 1 |
| 8 | 505 53 03-41 | FELT | | 1 |
| 9 | 505 53 03-52 | SPACER | | 1 |
| 10 | 505 53 03-19 | SPACER | | 1 |
| 11 | 506 09 86-02 | PINION | | 1 |
| 12 | 523 12 24-02 | NUT | | 1 |



GEARS

K 4000 Cut-n-Break, 2018-02

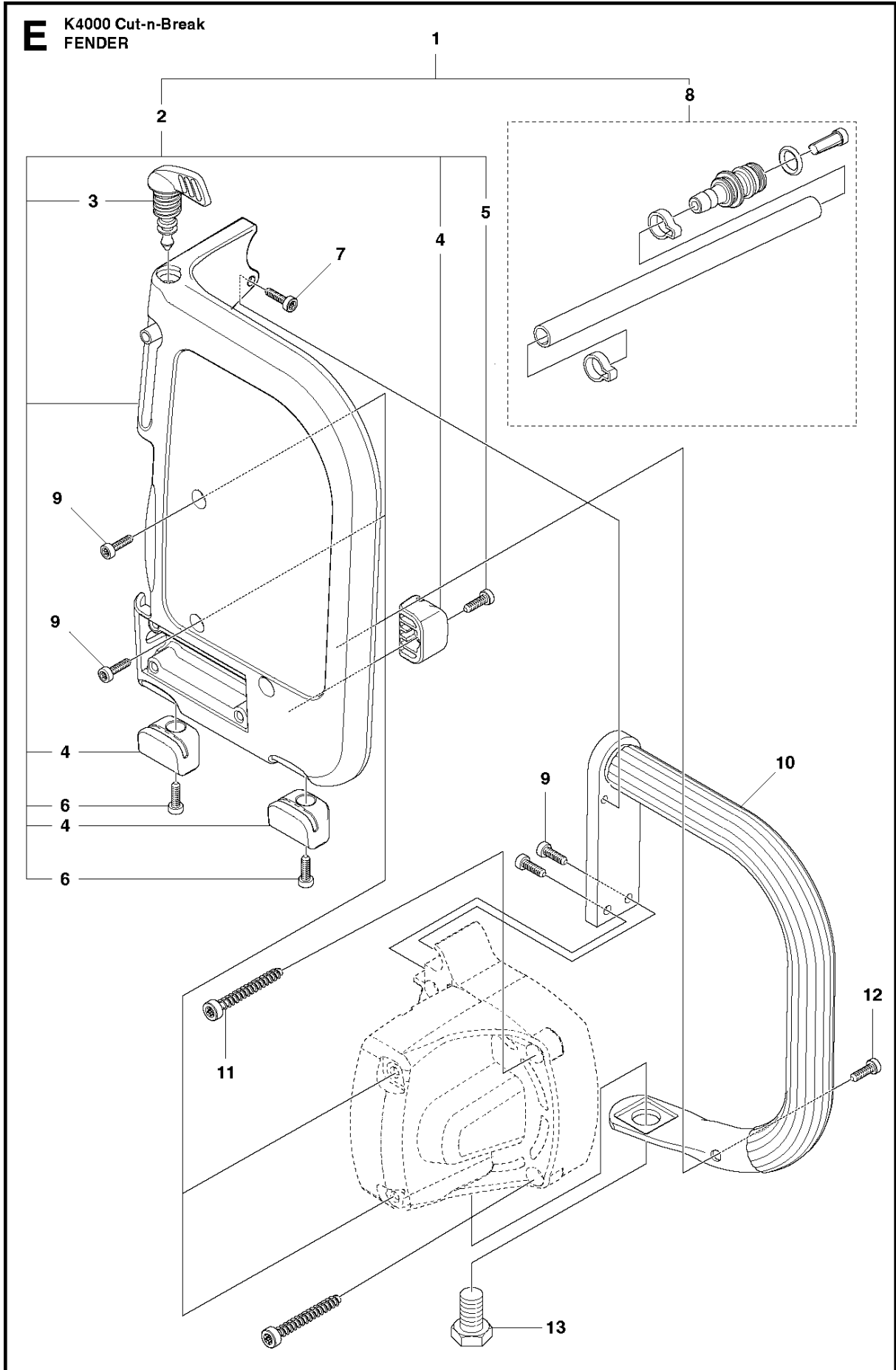
| Ref | Part No | Description | Remark | QTY KIT |
|-----|--------------|------------------|--------------|---------|
| 1 | 544 21 84-20 | SCREW ITXSCM | | 1 |
| 2 | 504 03 83-01 | SPACING SLEEVE | | 1 |
| 3 | 544 43 39-01 | DRIVING PULLEY | | 1 |
| 4 | 506 32 06-01 | SEALING | | 1 |
| 5 | 544 43 41-01 | FLANGE | | 1 |
| 6 | 544 43 37-01 | BRACKET | | 1 |
| 7 | 503 21 53-25 | SCREW ITXSCM | | 4 |
| 8 | 544 42 66-01 | GEAR SET | Incl. 9 - 11 | 1 |
| 9 | 544 42 64-01 | GEAR WHEEL SHAFT | | 1 |
| 10 | 583 95 33-01 | BALL BEARING | | 1 |
| 11 | 588 07 35-01 | GEAR HOUSING | | 1 |
| 12 | 504 11 03-03 | GASKET | | 1 |
| 13 | 505 45 41-01 | PINION | | 1 |
| 14 | 503 25 53-01 | NEEDLE BEARING | | 1 |
| 15 | 725 24 53-71 | SCREW EHHM | | 2 |
| 16 | 574 21 43-03 | GEAR HOUSING | Incl. 17 | 1 |
| 17 | 574 20 30-01 | GREASE | | 1 |



MOTOR HOUSING

K 4000 Cut-n-Break, 2018-02

| Ref | Part No | Description | Remark | QTY | KIT |
|-----|--------------|---------------------|----------|-----|-----|
| 1 | 582 33 94-02 | COVER | | 1 | |
| 2 | 589 53 01-01 | SCREW ITXSCT | | 2 | |
| 3 | 574 35 35-05 | SCREW ITXSCM | | 3 | |
| 4 | 735 11 36-50 | SPRING WASHER | | 4 | |
| 5 | 574 35 35-07 | SCREW ITXSCM | | 1 | |
| 6 | 732 25 14-01 | HEXAGON LOCKING NUT | | 2 | |
| 7 | 501 98 02-01 | COUPLER | | 1 | |
| 8 | 577 38 40-01 | CABLE ASSY | | 1 | |
| 9 | 589 78 68-01 | SCREW | | 1 | |
| 10 | 735 21 24-01 | LOCKWASHER | | 1 | |
| 11 | 582 33 50-01 | MOTOR HOUSING | | 1 | |
| 12 | 724 12 87-01 | SCREW CRPANM | | 2 | 15 |
| 15 | 581 08 68-03 | BRUSH KIT | 230V | 2 | |
| 15 | 581 08 68-04 | BRUSH KIT | 120V | 1 | |
| 13 | 589 91 12-02 | CARBON BRUSH | 120V | 1 | 15 |
| 13 | 589 91 12-01 | CARBON BRUSH | 230V | 1 | 15 |
| 16 | 505 53 03-07 | AIR STREAM DIRECTOR | | 1 | |
| 17 | 503 21 53-96 | SCREW ITXSCM | | 2 | |
| 18 | 582 58 41-02 | STATOR ASSY | 100-120V | 1 | |
| 18 | 582 58 41-01 | STATOR ASSY | 230V | 1 | |
| 19 | 589 60 93-02 | DECAL | | 1 | |
| 20 | 589 60 95-01 | DECAL | US | 1 | |
| 21 | 589 60 95-02 | DECAL | RoW | 1 | |
| 14 | 579 20 52-02 | SPRING | | 1 | 15 |



HANDLE

K 4000 Cut-n-Break, 2018-02

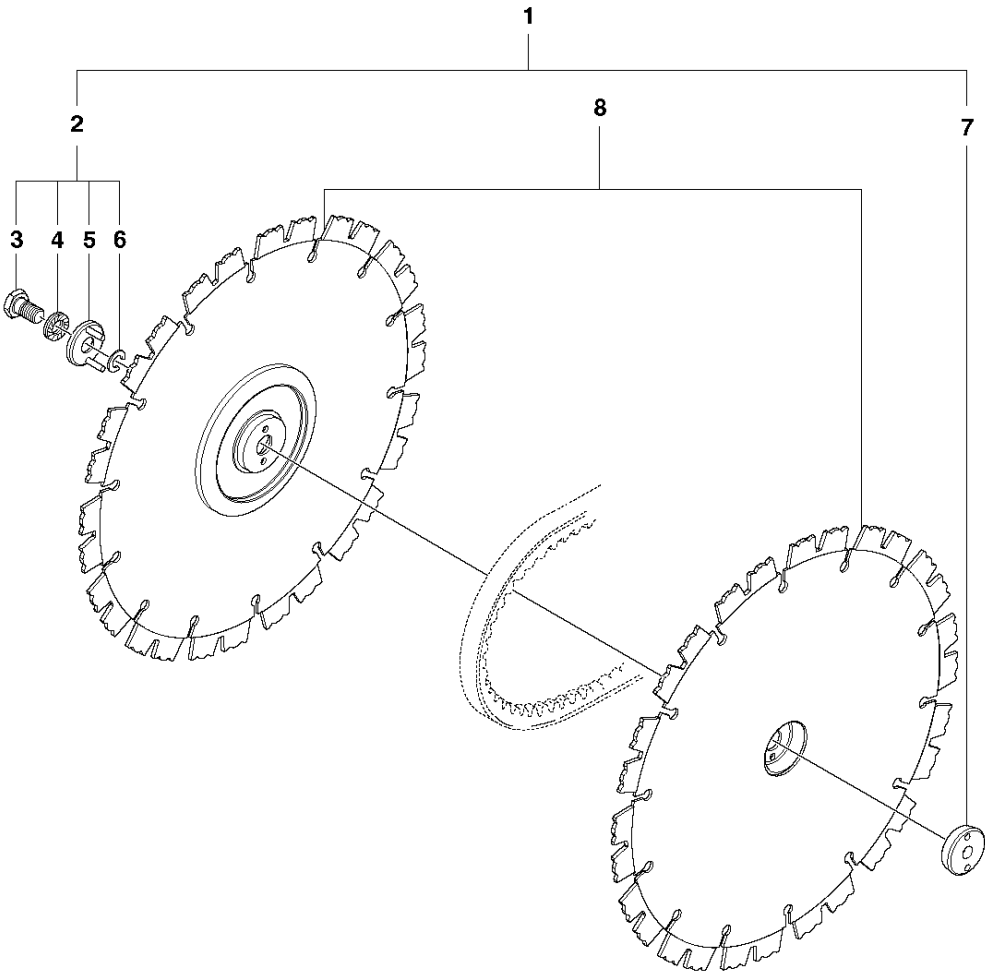
| Ref | Part No | Description | Remark | QTY KIT |
|-----|--------------|-------------------|------------|---------|
| 1 | 504 61 28-02 | FENDER | Incl. 2, 8 | 1 |
| 2 | 504 61 28-03 | FENDER | Incl. 3-6 | 1 |
| 3 | 505 52 42-01 | VALVE SPINDLE | | 1 |
| 4 | 544 98 32-01 | GROUND SUPPORT | | 3 |
| 5 | 504 90 94-10 | SCREW ITXSCT | | 1 |
| 6 | 504 90 94-14 | SCREW ITXSCT | | 2 |
| 7 | 503 21 53-10 | SCREW ITXSCM | | 1 |
| 8 | 575 51 62-02 | HOSE ASSY | | 1 |
| 9 | 503 21 53-16 | SCREW ITXSCM | | 4 |
| 10 | 540 01 83-01 | FRONT HANDLE ASSY | | 1 |
| 11 | 589 58 33-01 | SCREW | | 4 |
| 12 | 504 90 94-25 | SCREW ITXSCT | | 1 |
| 13 | 531 03 12-76 | SCREW | | 1 |

CUTTER ARM

K 4000 Cut-n-Break, 2018-02

| Ref | Part No | Description | Remark | QTY KIT |
|-----|--------------|--------------------|---------------|---------|
| 1 | 504 61 31-02 | CUTTER ARM | Incl. 2 - 34 | 1 |
| 2 | 544 10 50-05 | HOSE | Incl. 3 - 7 | 1 |
| 3 | 504 87 52-01 | SEALING | | 1 |
| 4 | 581 89 38-02 | HOSE | | 1 |
| 5 | 506 40 57-02 | GROMMET | | 1 |
| 6 | 506 09 56-05 | HOSE CLAMP | | 1 |
| 7 | 506 40 98-02 | NIPPLE | | 1 |
| 8 | 544 95 24-01 | BELT GUARD | | 1 |
| 9 | 731 23 18-01 | HEXAGON NUT | | 2 |
| 10 | 725 24 45-71 | SCREW EHHM | | 1 |
| 11 | 544 42 98-01 | ECCENTRIC | | 1 |
| 12 | 506 40 56-01 | DEFLECTION LIMITER | | 1 |
| 13 | 503 21 53-10 | SCREW ITXSCM | | 9 |
| 14 | 544 42 15-01 | BELT GUARD ASSY | | 1 |
| 15 | 503 26 30-08 | O-RING | | 4 |
| 16 | 506 40 64-03 | BLADE GUARD | | 1 |
| 17 | 506 40 61-01 | SPRING | | 1 |
| 18 | 544 42 14-01 | BELT GUARD ASSY | | 1 |
| 19 | 506 37 27-20 | BELT | | 1 |
| 20 | 593 99 27-01 | SERVICE KIT | Incl. 22 - 24 | 1 |
| 21 | 574 44 75-01 | BAR PLATE | | 1 |
| 22 | 506 40 28-02 | BEARING CAGE | | 1 |
| 23 | 544 10 59-01 | BEARING | | 1 |
| 24 | 506 40 29-02 | BUSHING | | 1 |
| 25 | 506 40 65-02 | BLADE GUARD | | 1 |
| 26 | 506 40 61-02 | SPRING | | 1 |
| 27 | 506 40 46-03 | WEAR PROTECTION | | 1 |
| 28 | 503 21 28-10 | SCREW CCRPANT | | 1 |
| 29 | 506 40 56-02 | DEFLECTION LIMITER | | 1 |
| 30 | 506 40 51-01 | STOP | | 1 |
| 31 | 724 12 84-01 | SCREW CRPANM | | 1 |
| 32 | 505 47 37-01 | LABEL | | 1 |
| 33 | 544 37 44-02 | LABEL | | 1 |

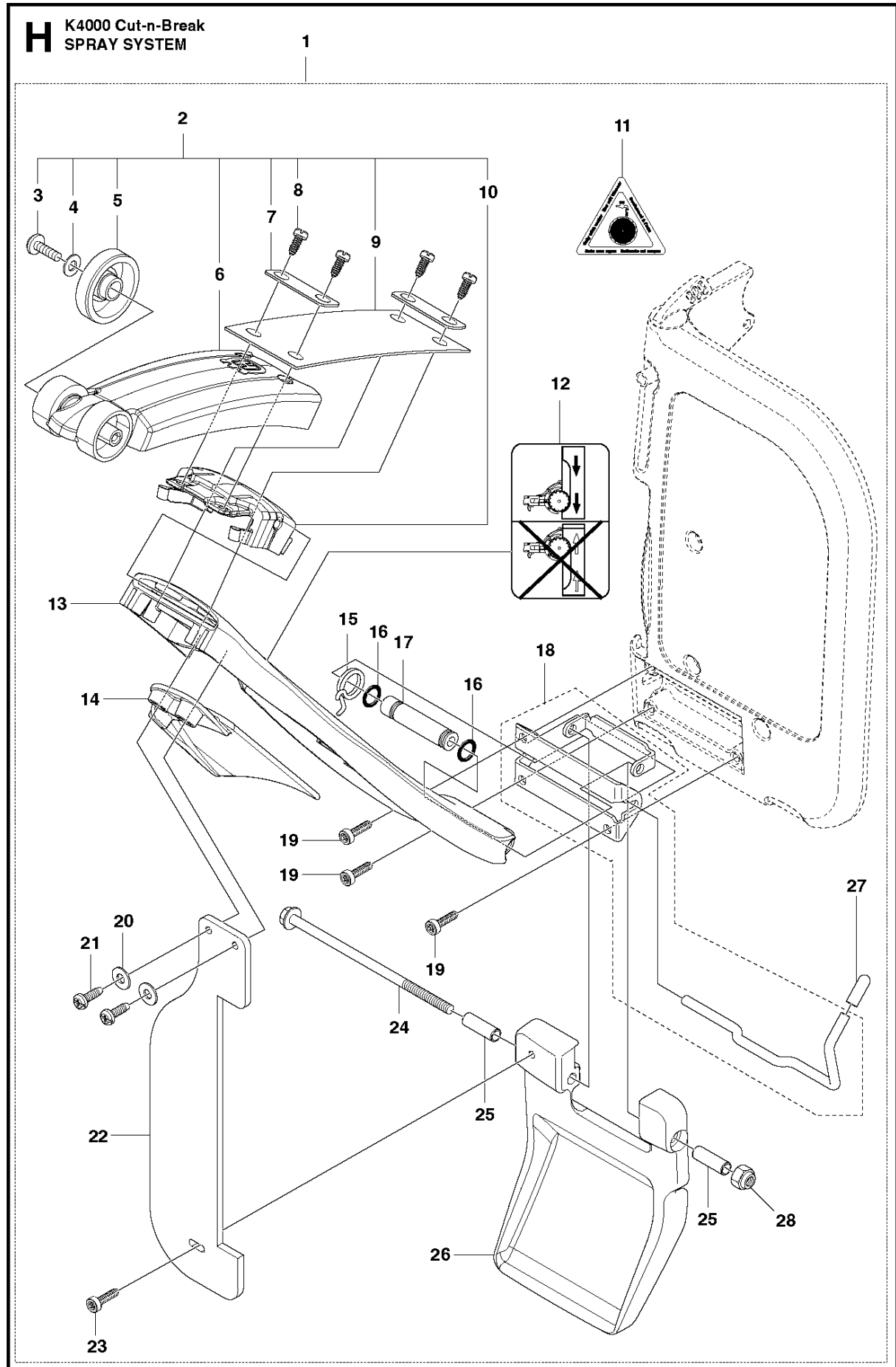
G K4000 Cut-n-Break
CUTTING BLADE



CUTTING BLADE

K 4000 Cut-n-Break, 2018-02

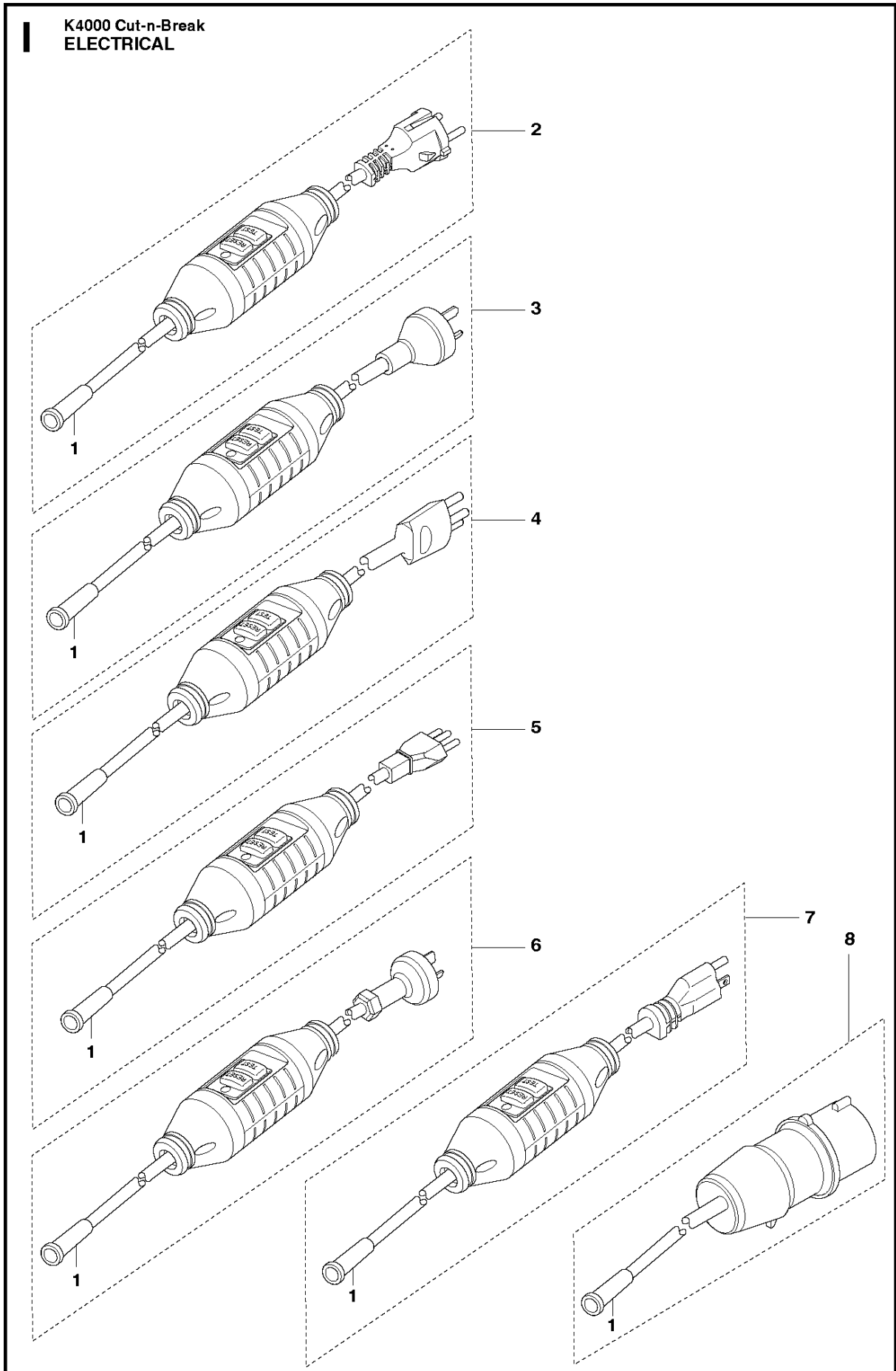
| Ref | Part No | Description | Remark | QTY KIT |
|-----|--------------|---------------|------------|---------|
| 1 | 501 00 88-02 | SCREW KIT | Incl. 2, 7 | 1 |
| 2 | 501 00 88-01 | SCREW KIT | Incl. 3-6 | 1 |
| 3 | 506 40 25-02 | SCREW | | 1 |
| 4 | 503 23 04-03 | WASHER | | 1 |
| 5 | 544 26 53-01 | WASHER | | 1 |
| 6 | 735 31 10-41 | RETAINER RING | | 1 |
| 7 | 506 40 24-01 | NUT | | 1 |
| 8 | 574 83 62-01 | DIAMOND BLADE | EL10CnB | 1 |
| 8 | 574 83 62-02 | DIAMOND BLADE | EL35CNB | 1 |
| 8 | 574 83 62-03 | DIAMOND BLADE | EL70CnB | 1 |



SPRAY SYSTEM

K 4000 Cut-n-Break, 2018-02

| Ref | Part No | Description | Remark | QTY KIT |
|-----|--------------|---------------|------------------|---------|
| 1 | 504 61 29-02 | SPRAY GUARD | Incl. 2, 11 - 28 | 1 |
| 2 | 510 05 66-01 | SPRAY GUARD | Incl. 3 - 10 | 1 |
| 3 | 503 21 46-01 | SCREW | | 2 |
| 4 | 734 48 80-01 | WASHER | | 2 |
| 5 | 506 26 22-02 | WHEEL | | 2 |
| 6 | 510 00 72-01 | SPRAY GUARD | | 1 |
| 7 | 510 20 20-01 | WASHER | | 2 |
| 8 | 503 21 27-16 | SCREW CRPANT | | 4 |
| 9 | 510 20 24-01 | BAND | | 1 |
| 10 | 510 00 73-01 | GUIDE | | 1 |
| 11 | 504 79 36-01 | LABEL | | 1 |
| 12 | 522 03 81-01 | DECAL | | 1 |
| 13 | 544 97 60-02 | SPRAY GUARD | | 1 |
| 14 | 504 04 94-01 | SPRAY GUARD | | 1 |
| 15 | 506 40 60-01 | SPRING | | 1 |
| 16 | 740 42 05-00 | O-RING | | 2 |
| 17 | 506 40 37-01 | BUSHING | | 1 |
| 18 | 587 29 30-01 | RETAINER | | 1 |
| 19 | 504 90 94-14 | SCREW ITXSCT | | 3 |
| 20 | 503 23 00-11 | WASHER | | 2 |
| 21 | 503 21 27-13 | SCREW CCRPANT | | 2 |
| 22 | 525 83 37-01 | SPRAY GUARD | | 1 |
| 23 | 510 26 92-16 | SCREW ITXSCT | | 1 |
| 24 | 503 21 53-96 | SCREW ITXSCM | | 1 |
| 25 | 522 55 85-01 | GUIDE BUSHING | | 2 |
| 26 | 505 14 86-01 | FENDER | | 1 |
| 27 | 505 38 88-01 | COVER LID | | 1 |
| 28 | 503 22 24-01 | LOCK NUT | | 1 |

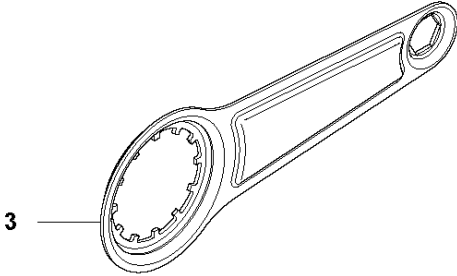
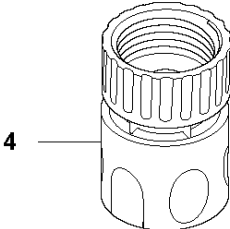
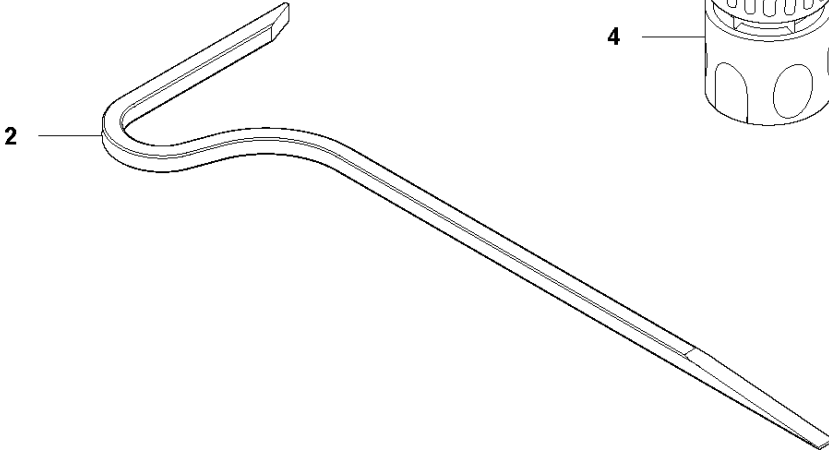
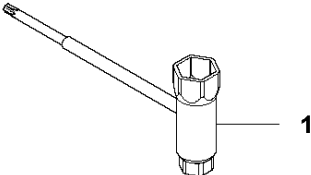


ELECTRICAL

K 4000 Cut-n-Break, 2018-02

| Ref | Part No | Description | Remark | QTY KIT |
|-----|--------------|--------------|----------------------------------|---------|
| 1 | 575 81 10-01 | CABLE SLEEVE | | 1 |
| 2 | 594 00 56-01 | CABLE ASSY | 230V PRCD, incl 1 | 1 |
| 3 | 594 00 56-06 | CABLE ASSY | 110V PRCD, AU, incl 1 | 1 |
| 4 | 594 00 56-05 | CABLE ASSY | 230V PRCD, CH, incl 1 | 1 |
| 5 | 594 00 56-07 | CABLE ASSY | 230V PRCD, BR, incl 1 | 1 |
| 6 | 594 00 56-02 | CABLE ASSY | 230V PRCD, CN, incl 1 | 1 |
| 7 | 594 00 56-03 | CABLE ASSY | 100-120V PRCD, JP, US, incl 1 | 1 |
| 8 | 591 06 10-04 | CABLE ASSY | UK | 1 |

J K4000 Cut-n-Break
TOOLS



TOOLS

K 4000 Cut-n-Break, 2018-02

| Ref | Part No | Description | Remark | QTY KIT |
|-----|--------------|-------------|--------|---------|
| 1 | 506 38 26-01 | TOOL | | 2 |
| 2 | 544 17 80-03 | TOOL | | 1 |
| 3 | 544 17 81-01 | PULLER | | 1 |
| 4 | 503 26 60-03 | COUPLER | USA | 1 |
| 4 | 503 26 60-04 | COUPLER | RoW | 1 |